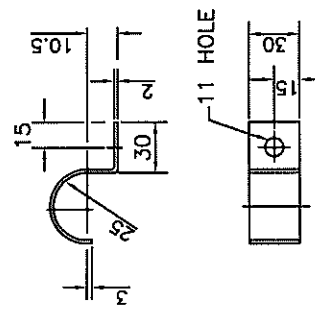


TYPICAL HEAVY MANUAL PURGE ASSY

PIPE/VALVE SUPPORT DETAIL  
 MATERIAL : ST-STEEL 5mm THK PLATE.  
 ALL CORNERS TO BE RADIUSSED AND GROUND SMOOTH.

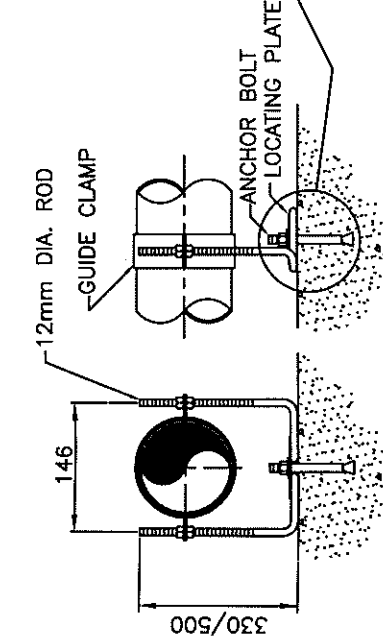


PURGE PIPE SUPPORT CLIP

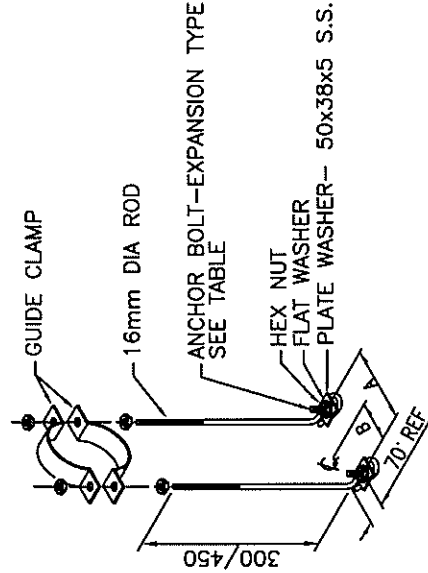
SUPPORT MOUNTING INTO THE WALL

Rev	Date	Revision	Drawn
A	27/09/19	FIRST ISSUE	JUL
Rev	Date	Checked	Approved
CONTRACT			
19-80084SC AYALON			
TITLE			
HEAVY DUTY MANUAL PURGE INSTALLATION DETAILS			
 Let's Solve Water			
<small>           XYLEM WATER SOLUTIONS RIGBY LTD            10 MICHELL COURT            CASTLE MOULD WAY            RIGBY            WARRICKSHIRE            CV23 0JY            TEL: +44(0)1788 821500            FAX: +44(0)1788 821501         </small>			
Cad File: -	Drawing No. -		Rev.

304 S.S. MATERIAL FOR PURGE SUPPORTS



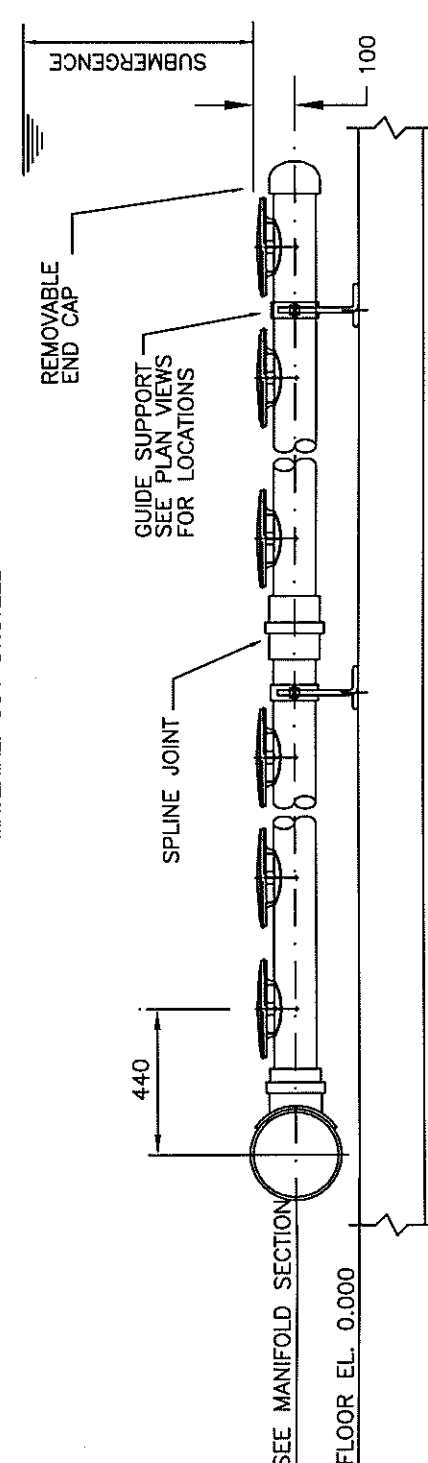
D110 GUIDE SUPPORT M12/330 (GS1)  
 D110 GUIDE SUPPORT M12/500 (GS2)  
 MATERIAL: 304 ST. STEEL



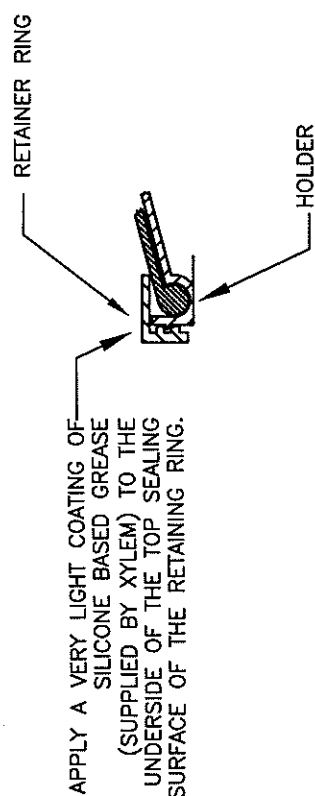
D250 MANIFOLD GUIDE SUPPORT M16/300 (MSG1)  
 D200 MANIFOLD GUIDE SUPPORT M16/300 (MSG1)  
 D160 MANIFOLD GUIDE SUPPORT M16/450 (MSG3)  
 MATERIAL: 304 ST. STEEL

FINE BUBBLE AERATION SYSTEM ANCHOR CHART			
MANIFOLD DIA.	ANCHOR BOLT	PROJECTION HOLD	EMBEDMENT
160φ	M12φ x 110 LG.	40	70
200φ	M12φ x 110 LG.	40	70
250φ	M16φ x 140 LG.	50	90
ANCHOR SPACING			
MAN. DIA.	A	B	
160φ	222	111	
200φ	273	137	
250φ	327	163	

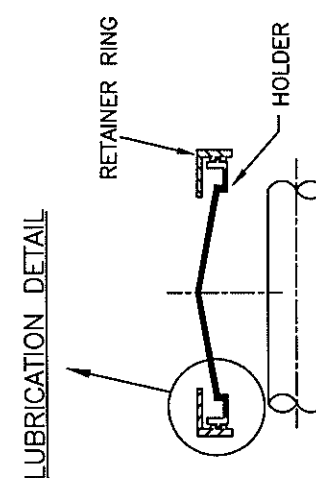
D250 MANIFOLD GUIDE SUPPORT M16/300 (MSG1)  
 D200 MANIFOLD GUIDE SUPPORT M16/300 (MSG1)  
 D160 MANIFOLD GUIDE SUPPORT M16/450 (MSG3)  
 MATERIAL: 304 ST. STEEL



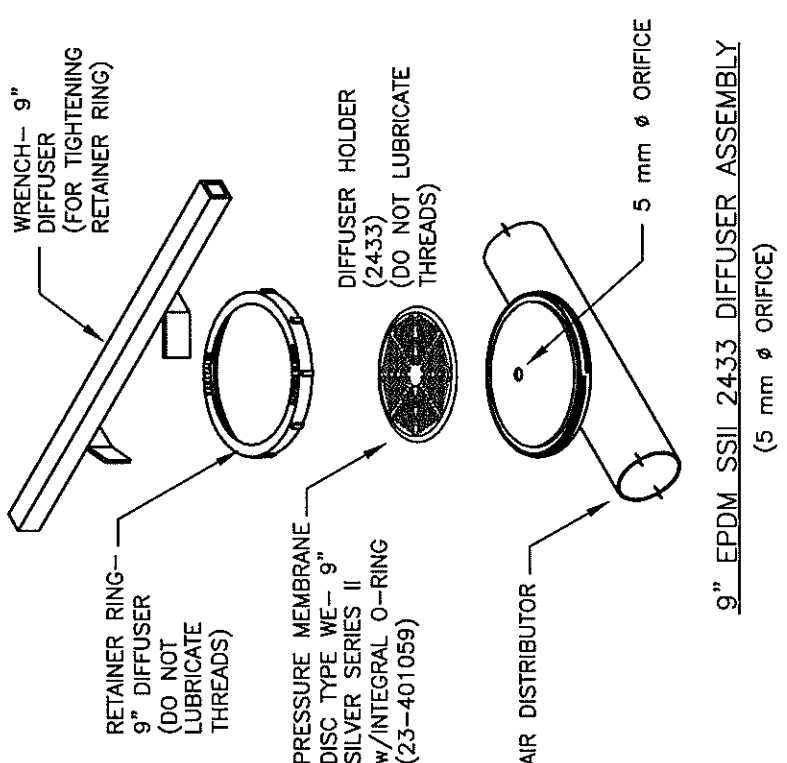
AIR DISTRIBUTOR φ110 (MANIFOLD φ160/φ200/φ250)



APPLY A VERY LIGHT COATING OF SILICONE BASED GREASE (SUPPLIED BY XYLEM) TO THE UNDERSIDE OF THE TOP SEALING SURFACE OF THE RETAINING RING.



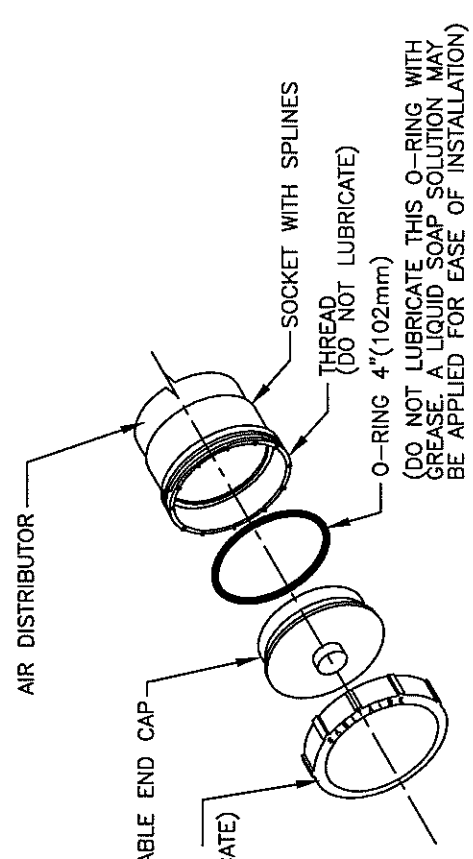
LUBRICATION DETAIL



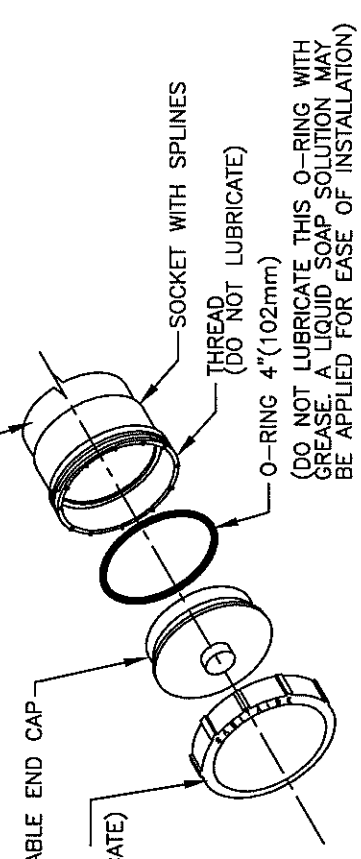
9" EPDM SSII 2433 DIFFUSER ASSEMBLY  
 (5 mm φ ORIFICE)

ITEM	D	H	K	F	PN
1	160	28	240	22x8	10/16
2	200	32	295	22x8	10
1	250	32	350	22x12	10
2		131			

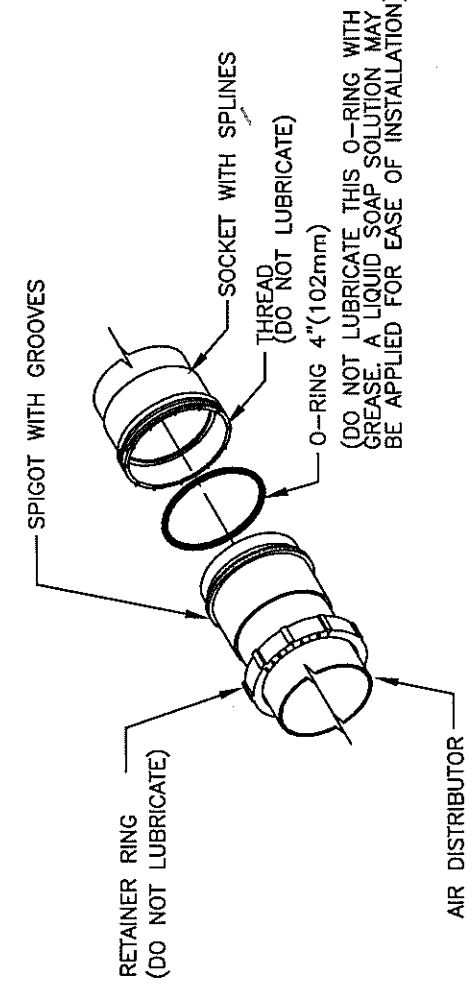
PVC DROPLEG FLANGE ASSY. D160-D200-D250



AIR DISTRIBUTOR



REMOVABLE END CAP



SPLINE JOINT

Rev	Date	Revision	Drawn
A	27/08/19	FIRST ISSUE	JUL

Rev	Date	Checked	Approved
CONTRACT			
19-80084SC AYALON			

ALL RIGHTS RESERVED. DOCUMENT IS CONFIDENTIAL. PROPRIETARY AND COPYRIGHTED. IT SHALL NOT BE REPRODUCED, COPIED, OR TRANSMITTED IN ANY FORM OR BY ANY MEANS, WITHOUT THE WRITTEN CONSENT OF XYLEM. USE ALSO IN THIS OR IN RELATED FORMS WILL BE PUNISHED UNDER CIVIL AND CRIMINAL LAW ©2018

TITLE: FIXING DETAILS

**xylem**  
 Let's Solve Water

XYLEM WATER SOLUTIONS RUGBY LTD  
 10 MITCHELL COURT  
 5000 WINDY HILL  
 WARRICKSHIRE  
 CV23 8UT  
 TEL: +44(0)1788 821500  
 FAX: +44(0)1788 821501

Contract No. \_\_\_\_\_ Rev. \_\_\_\_\_  
 Drawing No. \_\_\_\_\_



**REFERENCE DRAWINGS**

1. KEY PLAN-----19-80084SC-01
2. GRID TYPE 1/1S-----19-80084SC-02
3. GRID TYPE 2/2S-----19-80084SC-03
4. GRID TYPE 3-----19-80084SC-04
5. GRID TYPE 3A-----19-80084SC-05
6. GRID TYPE 4-----19-80084SC-06
7. GRID TYPE 4A-----19-80084SC-07
8. GRID TYPE 5/5S-----19-80084SC-08
9. MANIFOLD SECTIONS-----19-80084SC-09
10. MANIFOLD SECTIONS-----19-80084SC-10
11. MANIFOLD SECTIONS-----19-80084SC-11
12. FIXING DETAILS-----19-80084SC-12
13. HD MANUAL PURGE-----19-80084SC-13

**GRID TYPE '3A'**

- 1 - TANK(S)
- 1 - GRID(S) PER TANK
- 18 - AIR DISTRIBUTORS PER GRID
- VARIOUS - DIFFUSERS PER AIR DISTRIBUTOR
- 719 - DIFFUSERS PER GRID
- 719 - TOTAL DIFFUSERS FOR THIS GRID TYPE

**LEGEND**

- GS - D110 GUIDE SUPPORT M8/250
- MGS2 - D200 MANIFOLD GUIDE SUPPORT M16/300  
DRG 19-80084SC-12
- SJ - SPLINE JOINT  
DRG 19-80084SC-12

A	25/09/19	FIRST ISSUE	JUL
Rev	Date	Revision	Drawn
Rev	Date	Checked	Approved

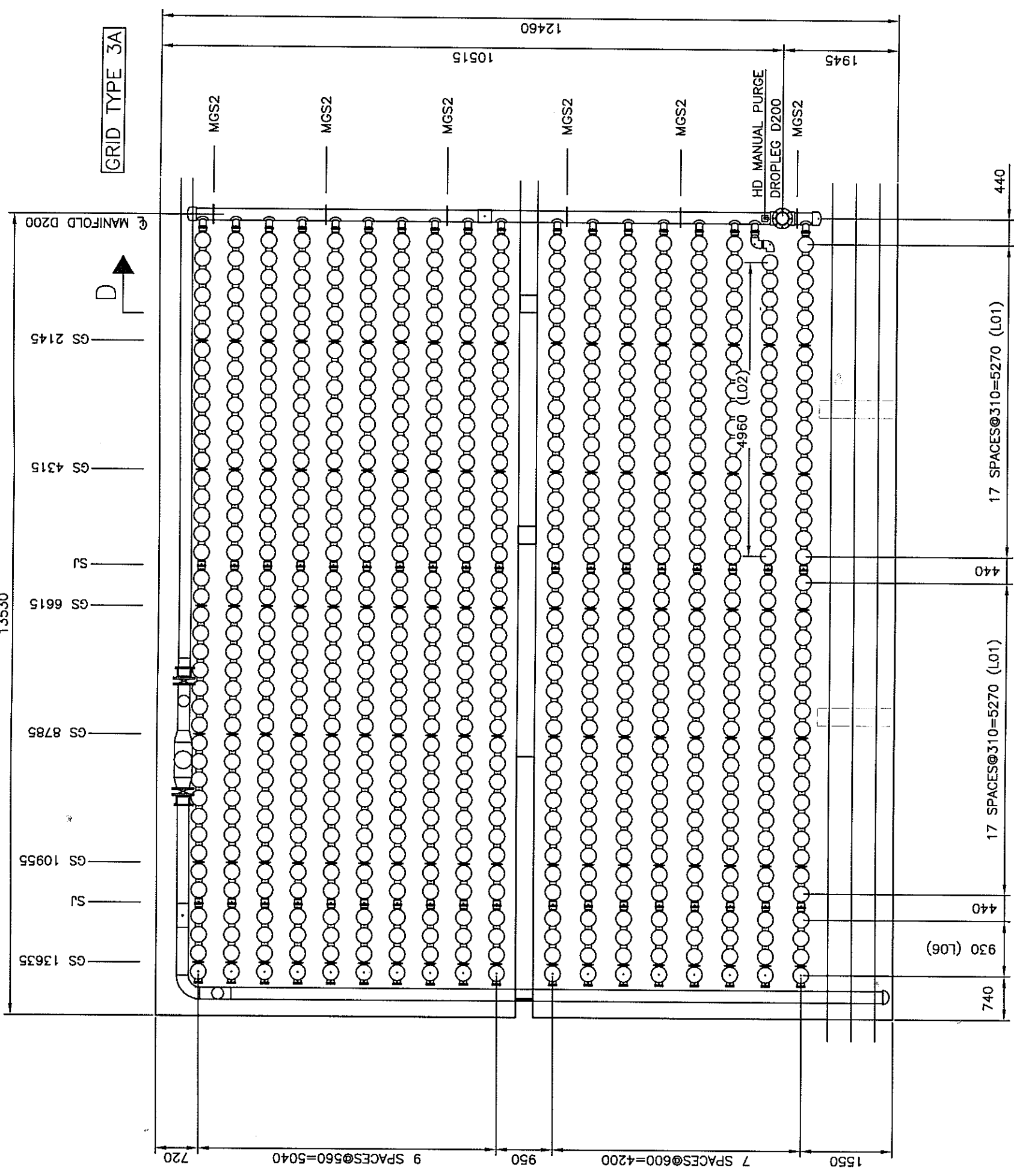
CONTRACT  
19-80084SC AYALON

TITLE  
GRID TYPE 3A

**xylem**  
Let's Solve Water

XYLEM WATER SOLUTIONS RUGBY LTD  
10 MITCHELL COURT  
CASTLE BOUND WAY  
RUGBY  
WARWICKSHIRE  
CV21 0UT  
TEL: +44(0)1788 821500  
FAX: +44(0)1788 821501

Code File: -  
Contract No. -  
Drawing No. 10-80084SC-05  
Rev. A  
1.75 Sheet



PART NUMBER	NUMBER OF PARTS PER GRID	NUMBER OF DIFFUSERS PER PART	TOTAL NUMBER OF DIFFUSERS
L01	35	18	630
L02	1	17	17
L06	18	4	72
GS	108		
MGS2	6		

**GRID TYPE 3A**  
1 REQUIRED AS SHOWN

17 SPACES@310=5270 (L01)

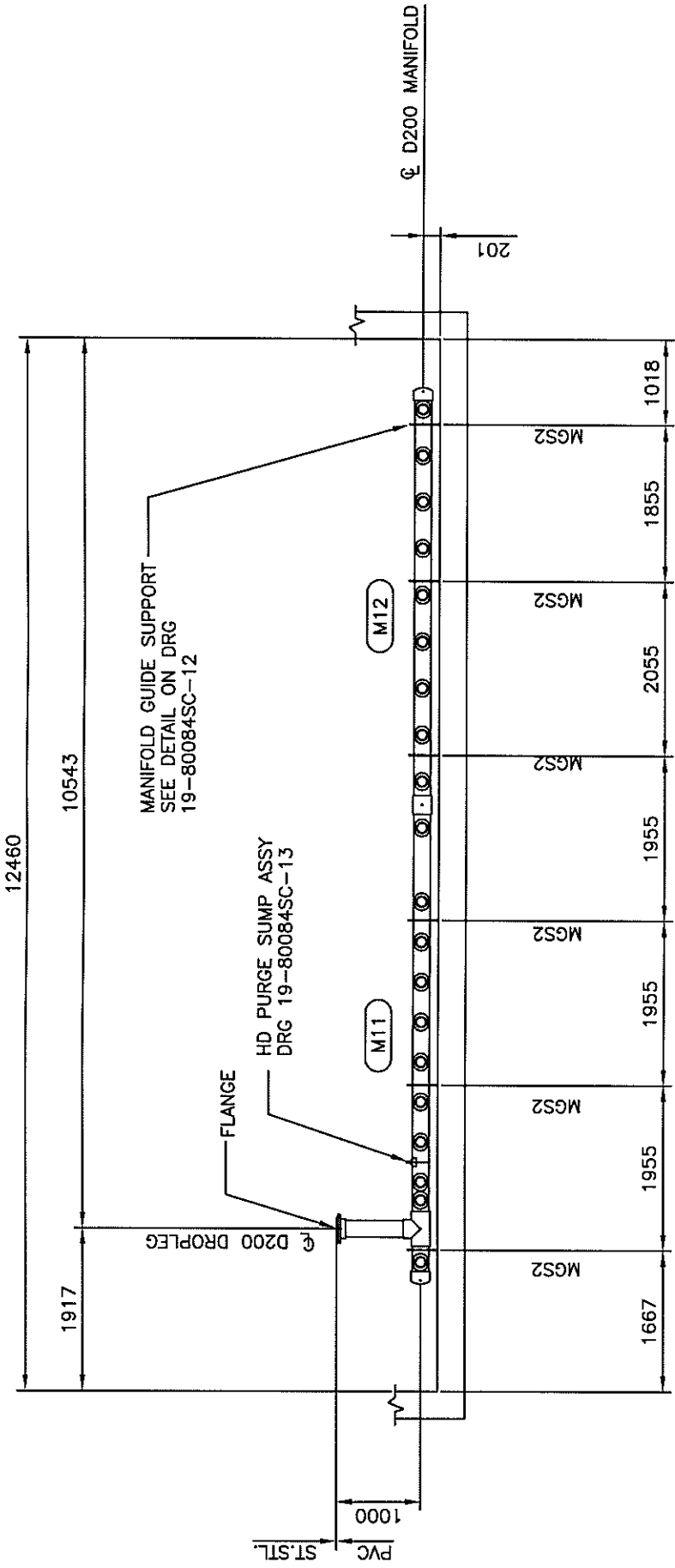
930 (L06)

7 SPACES@600=4200

9 SPACES@560=5040

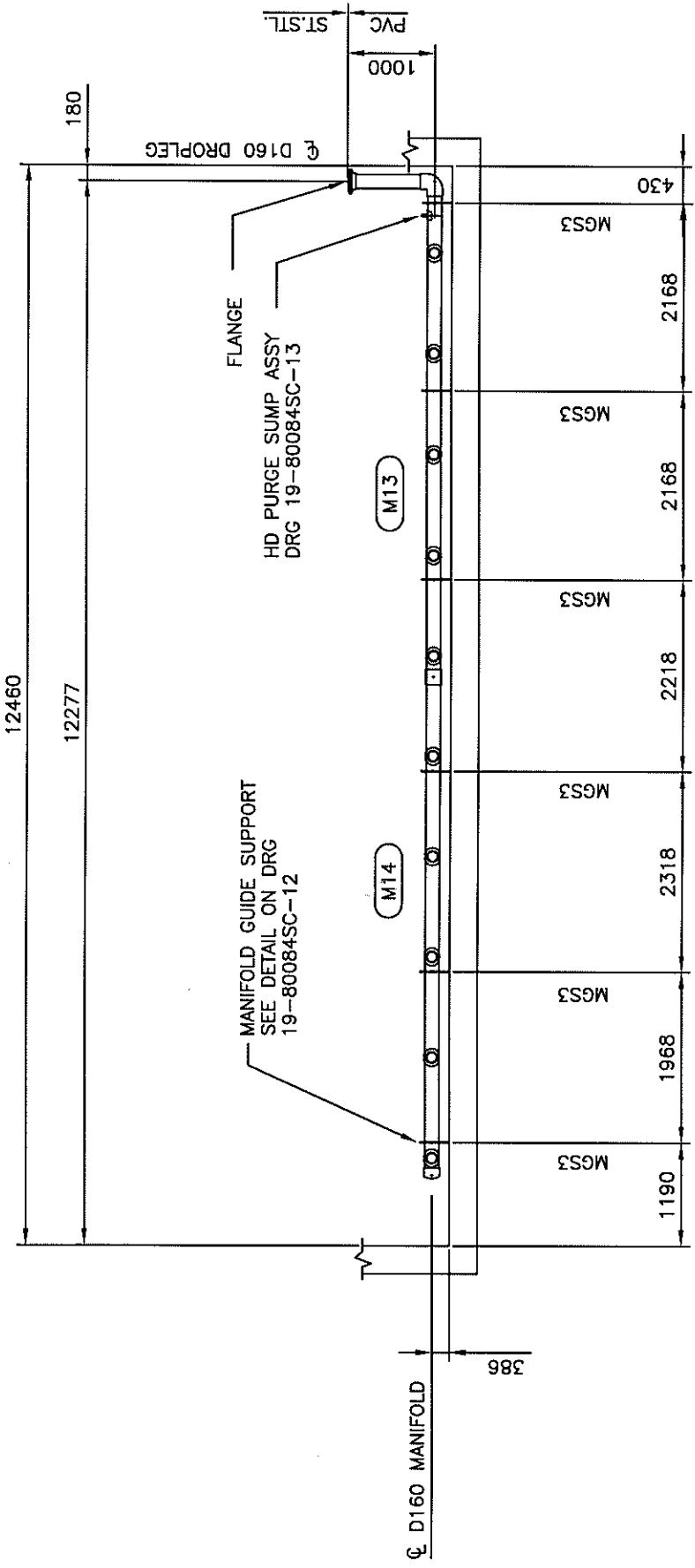
**REFERENCE DRAWINGS**

1. KEY PLAN-----19-80084SC-01
2. GRID TYPE 1/1S-----19-80084SC-02
3. GRID TYPE 2/2S-----19-80084SC-03
4. GRID TYPE 3-----19-80084SC-04
5. GRID TYPE 3A-----19-80084SC-05
6. GRID TYPE 4-----19-80084SC-06
7. GRID TYPE 4A-----19-80084SC-07
8. GRID TYPE 5/5S-----19-80084SC-08
9. MANIFOLD SECTIONS-----19-80084SC-09
10. MANIFOLD SECTIONS-----19-80084SC-10
11. MANIFOLD SECTIONS-----19-80084SC-11
12. FIXING DETAILS-----19-80084SC-12
13. HD MANUAL PURGE-----19-80084SC-13



**SECTION F-F**

1 REQUIRED AS SHOWN (GRID TYPE 4A)



**SECTION G-G**

1 REQUIRED AS SHOWN (GRID TYPE 5)  
1 REQUIRED MIRROR (GRID TYPE 5S)

A	25/09/19	FIRST ISSUE	JUL
Rev	Date	Revision	Drawn
Rev	Date	Checked	Approved
CONTRACT			
19-80084SC AYALON			
TITLE			
MANIFOLD SECTIONS F-F G-G			
XYLEM WATER SOLUTIONS ROBERT LTD 10 MITCHELL COURT CASTLE MOUND WAY RUSBY WARWICKSHIRE CV23 0UT TEL: +44(0)1788 821500 FAC: +44(0)1788 821501			
Cod File: --			
Contract No. --			
Drawing No. 10-80084SC-11			
Rev. A			

**xylem**  
Let's Solve Water

**REFERENCE DRAWINGS**

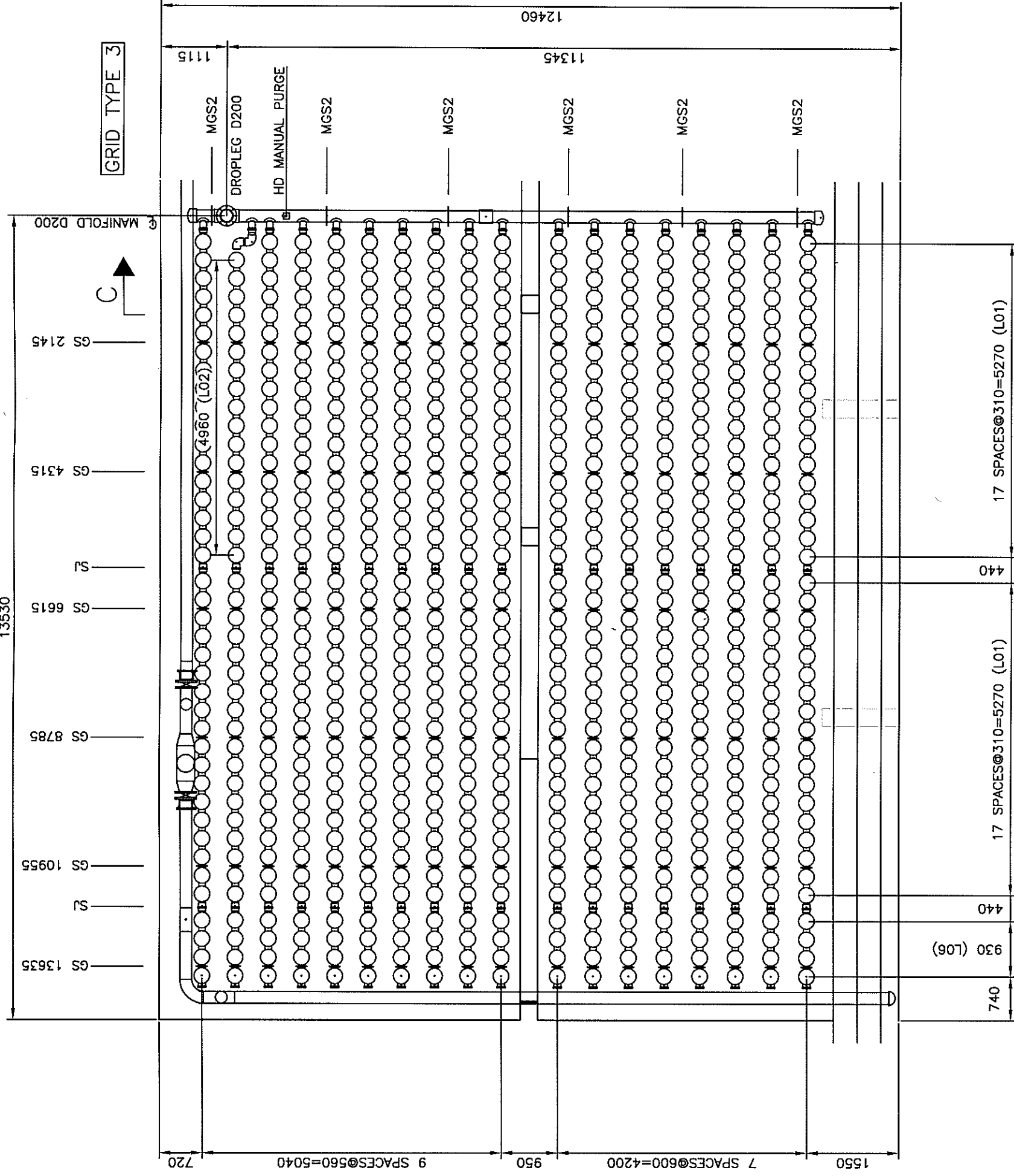
1. KEY PLAN-----19-80084SC-01
2. GRID TYPE 1/1S-----19-80084SC-02
3. GRID TYPE 2/2S-----19-80084SC-03
4. GRID TYPE 3-----19-80084SC-04
5. GRID TYPE 3A-----19-80084SC-05
6. GRID TYPE 4-----19-80084SC-06
7. GRID TYPE 4A-----19-80084SC-07
8. GRID TYPE 5/5S-----19-80084SC-08
9. MANIFOLD SECTIONS -----19-80084SC-09
10. MANIFOLD SECTIONS -----19-80084SC-10
11. MANIFOLD SECTIONS -----19-80084SC-11
12. FIXING DETAILS-----19-80084SC-12
13. HD MANUAL PURGE-----19-80084SC-13

**GRID TYPE '3'**

- 1-TANK(S)  
 1-GRID(S) PER TANK  
 18-AIR DISTRIBUTORS PER GRID  
 VARIOUS-DIFFUSERS PER AIR DISTRIBUTOR  
 719-DIFFUSERS PER GRID  
 719-TOTAL DIFFUSERS  
 FOR THIS GRID TYPE

**LEGEND**

- GS - D110 GUIDE SUPPORT M8/250  
 MGS2 - D200 MANIFOLD GUIDE SUPPORT M16/300  
 DRG 19-80084SC-12  
 SJ - SPLINE JOINT  
 DRG 19-80084SC-12



PART NUMBER	NUMBER OF PARTS PER GRID	NUMBER OF DIFFUSERS PER PART	TOTAL NUMBER OF DIFFUSERS
L01	35	18	630
L02	1	17	17
L06	18	4	72
GS	108		
MGS2	6		

**GRID TYPE 3**  
 1 REQUIRED AS SHOWN

A	25/09/19	FIRST ISSUE	JUL		
Rev	Date	Revision	Drawn		
Rev	Date	Checked	Approved		

**CONTRACT**  
 19-80084SC AYALON

ALL RIGHTS RESERVED. DOCUMENT IS CONFIDENTIAL, PROPRIETARY AND COPYRIGHTED. IT SHALL NOT BE REPRODUCED, DISSEMINATED OR OTHERWISE MADE AVAILABLE TO THIRD PARTIES OR OTHERWISE USED WITHOUT PRIOR WRITTEN CONSENT UNLESS USE IS IN PARTS OR IN REVISION FORM-MAY BE PURSUED UNDER CIVIL AND CRIMINAL LAW ©2018

**xylem**  
 Let's Solve Water

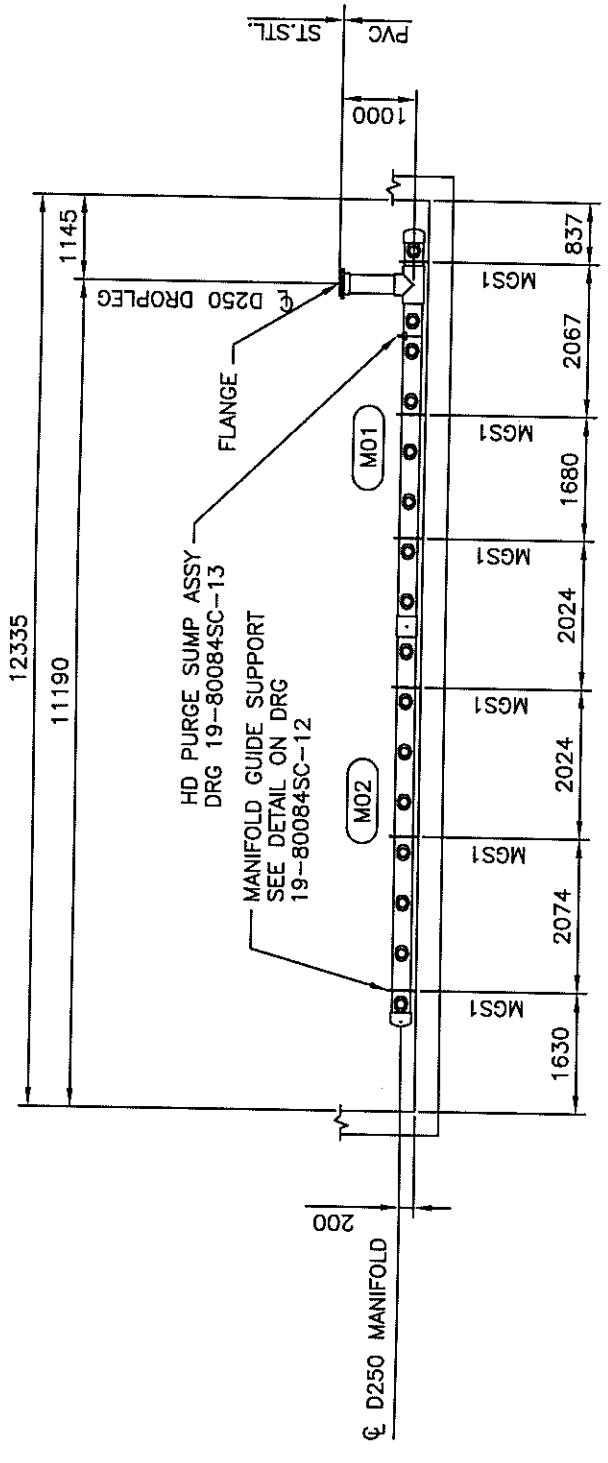
XYLEM WATER SOLUTIONS RUGBY LTD  
 10 MITCHELL COURT  
 CASTLE MOUND WAY  
 RUGBY  
 WARWICKSHIRE  
 CV23 0UT  
 TEL: +44(0)1788 821500  
 FAX: +44(0)1788 821501

Cod File: --  
 Contract No. --  
 Drawing No. --  
 Rev. --

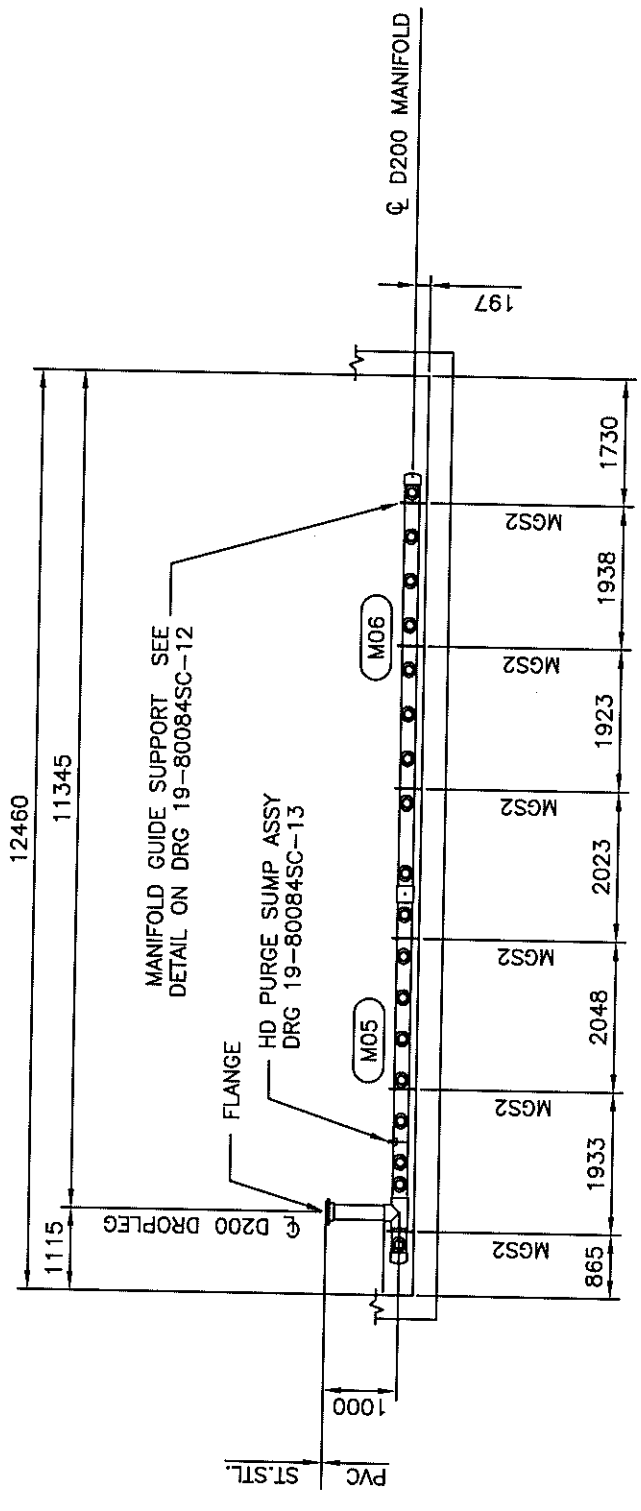


**REFERENCE DRAWINGS**

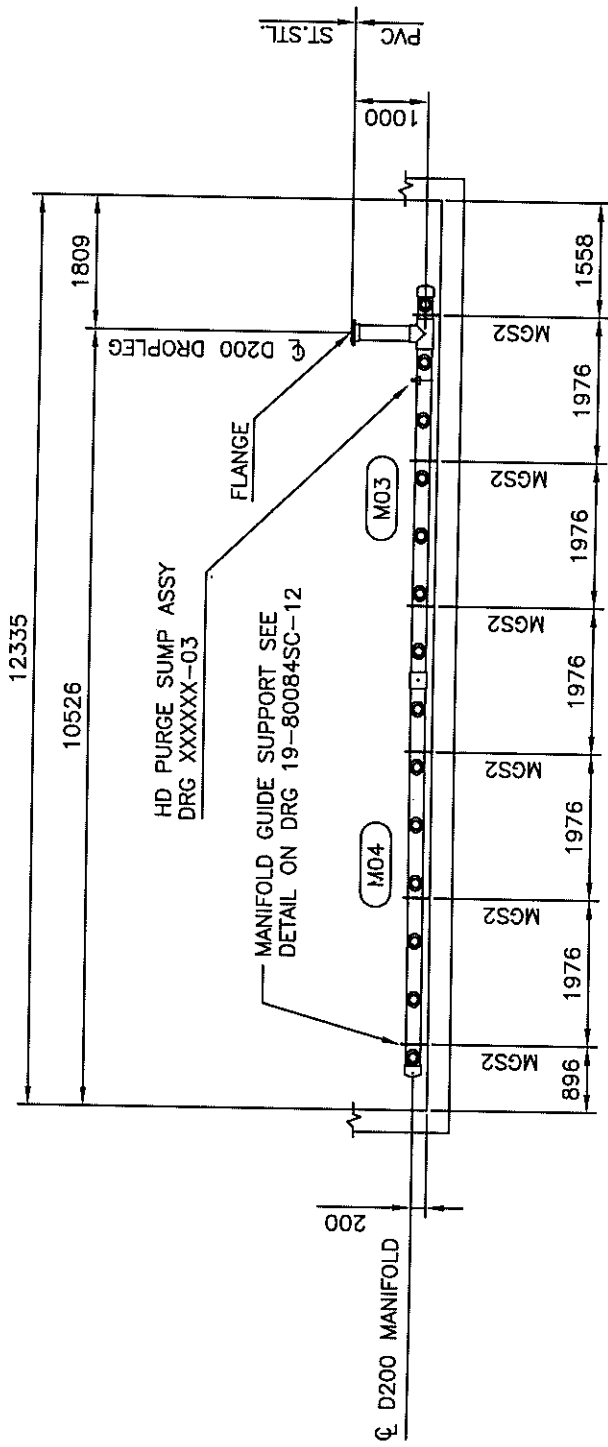
1. KEY PLAN-----19-80084SC-01
2. GRID TYPE 1/1S-----19-80084SC-02
3. GRID TYPE 2/2S-----19-80084SC-03
4. GRID TYPE 3-----19-80084SC-04
5. GRID TYPE 3A-----19-80084SC-05
6. GRID TYPE 4-----19-80084SC-06
7. GRID TYPE 4A-----19-80084SC-07
8. GRID TYPE 5/5S-----19-80084SC-08
9. MANIFOLD SECTIONS-----19-80084SC-09
10. MANIFOLD SECTIONS-----19-80084SC-10
11. MANIFOLD SECTIONS-----19-80084SC-11
12. FIXING DETAILS-----19-80084SC-12
13. HD MANUAL PURGE-----19-80084SC-13



**SECTION A-A**  
 1 REQUIRED AS SHOWN (GRID TYPE 1)  
 1 REQUIRED MIRROW (GRID TYPE 1S)



**SECTION C-C**  
 1 REQUIRED AS SHOWN (GRID TYPE 3)



**SECTION B-B**  
 1 REQUIRED AS SHOWN (GRID TYPE 2)  
 1 REQUIRED MIRROW (GRID TYPE 2S)

Rev	Date	Revision	Drawn
A	25/09/19	FIRST ISSUE	JUL
Rev	Date	Checked	Approved

CONTRACT  
 19-80084SC AYALON

TITLE  
 19-80084SC AYALON

MANIFOLD SECTIONS  
 A-A B-B C-C

**xylem**  
 Let's Solve Water

ALL RIGHTS RESERVED. DOCUMENT IS CONFIDENTIAL, PROPRIETARY AND COPYRIGHTED. IT SHALL NOT BE REPRODUCED, COPIED, OR OTHERWISE MADE AVAILABLE TO THIRD PARTIES OR OTHERWISE USED WITHOUT PRIOR WRITTEN CONSENT OF XYLEM. USE-ACSO IN PARTS OR IN REVERSED FORM-MAY BE PURSUED UNDER CIVIL AND CRIMINAL LAW ©2018

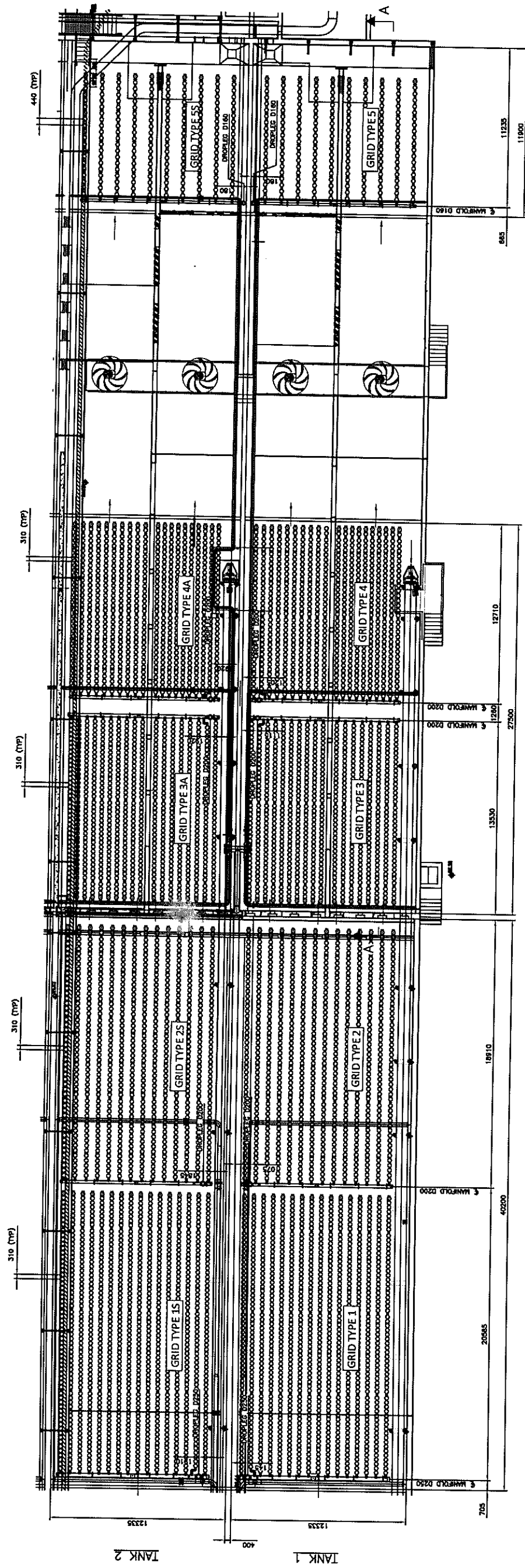
XYLEM WATER SOLUTIONS RUGBY LTD  
 10 MITCHELL COURT  
 CASTLE MOOR WAY  
 RUGBY  
 CV21 0BT  
 TEL: +44(0)1788 821500  
 FAX: +44(0)1788 821501

Cad File: -  
 Contract No. -  
 Drawing No. -  
 Rev.

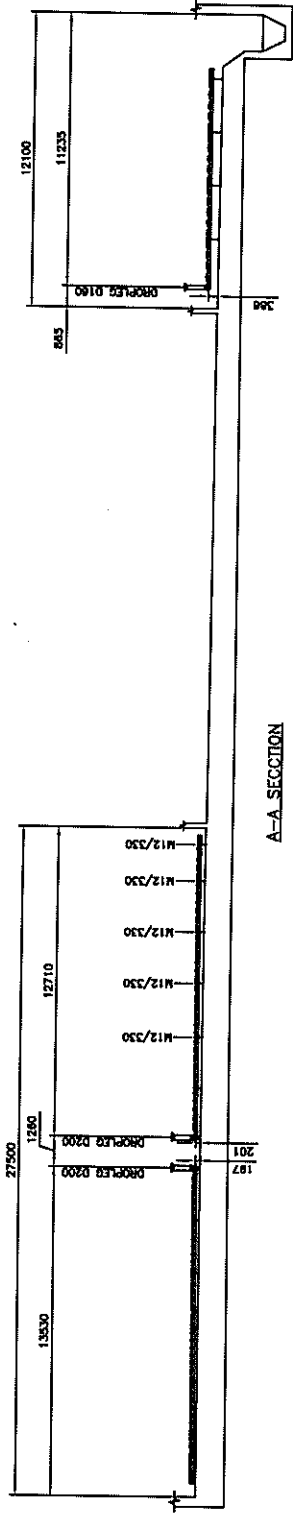


SANITAIRA AERATION EQUIPMENT

Grid Type	Diff. Type	No. Grids	No. Tanks	Total Diff.	Manif. Type	Drop, mm
PVC 1	991	1	2	1982	M	250
PVC 2	700	1	2	1400	M	200
PVC 3/3A	719	1	2	1438	SM	200
PVC 4/4A	679	1	2	1358	M	200
PVC 5	200	1	2	400	M	160
						6578



PLAN VIEW  
1 REQUIRED AS SHOWN



A-A SECTION

- NOTES:
1. ALL DIMENSIONS ARE IN MILLIMETRES
  2. DIFFUSERS HOLDING ARE SPACES 2433
  3. DROPLED CONNECTION FLANGE
  4. 304 S.S. STANDARD SUPPORTS
  5. GRID TYPE 1&2: SUPPLY MANIFOLD SUPPORTS AND GUIDE SUPPORTS
  6. GRID TYPE 3&4: SUPPLY MANIFOLD SUPPORTS AND GUIDE SUPPORTS (M12/500)
  7. GRID TYPE 5: SUPPLY MANIFOLD AND GUIDE SUPPORTS (M12/500)
  8. NO MEMBRANES
  9. MANUAL HEAVY DUTY PURGE

19-800845C AXILON
KEY PLAN FLOOR EQUIPMENT LAYOUT
<b>xylem</b> Let's Solve Water

**REFERENCE DRAWINGS**

1. KEY PLAN-----19-80084SC-01
2. GRID TYPE 1/1S-----19-80084SC-02
3. GRID TYPE 2/2S-----19-80084SC-03
4. GRID TYPE 3-----19-80084SC-04
5. GRID TYPE 3A-----19-80084SC-05
6. GRID TYPE 4-----19-80084SC-06
7. GRID TYPE 4A-----19-80084SC-07
8. GRID TYPE 5/5S-----19-80084SC-08
9. MANIFOLD SECTIONS -----19-80084SC-09
10. MANIFOLD SECTIONS -----19-80084SC-10
11. MANIFOLD SECTIONS -----19-80084SC-11
12. FIXING DETAILS-----19-80084SC-12
13. HD MANUAL PURGE-----19-80084SC-13

**GRID TYPE '4'**

- 1-TANK(S)  
 1-GRID(S) PER TANK  
 20-AIR DISTRIBUTORS PER GRID  
 VARIOUS-DIFFUSERS PER AIR DISTRIBUTOR  
 679-DIFFUSERS PER GRID  
 679-TOTAL DIFFUSERS  
 FOR THIS GRID TYPE

**LEGEND**

- GS - D110 GUIDE SUPPORT M8/250  
 GS1 - D110 GUIDE SUPPORT M12/330  
 DRG 19-80084SC-12  
 MGS2 - D200 MANIFOLD GUIDE SUPPORT M16/300  
 DRG 19-80084SC-12  
 SJ - SPLINE JOINT  
 DRG 19-80084SC-12

Rev	Date	Revision	Drawn
A	25/09/19	FIRST ISSUE	JLL
Rev	Date	Checked	Approved

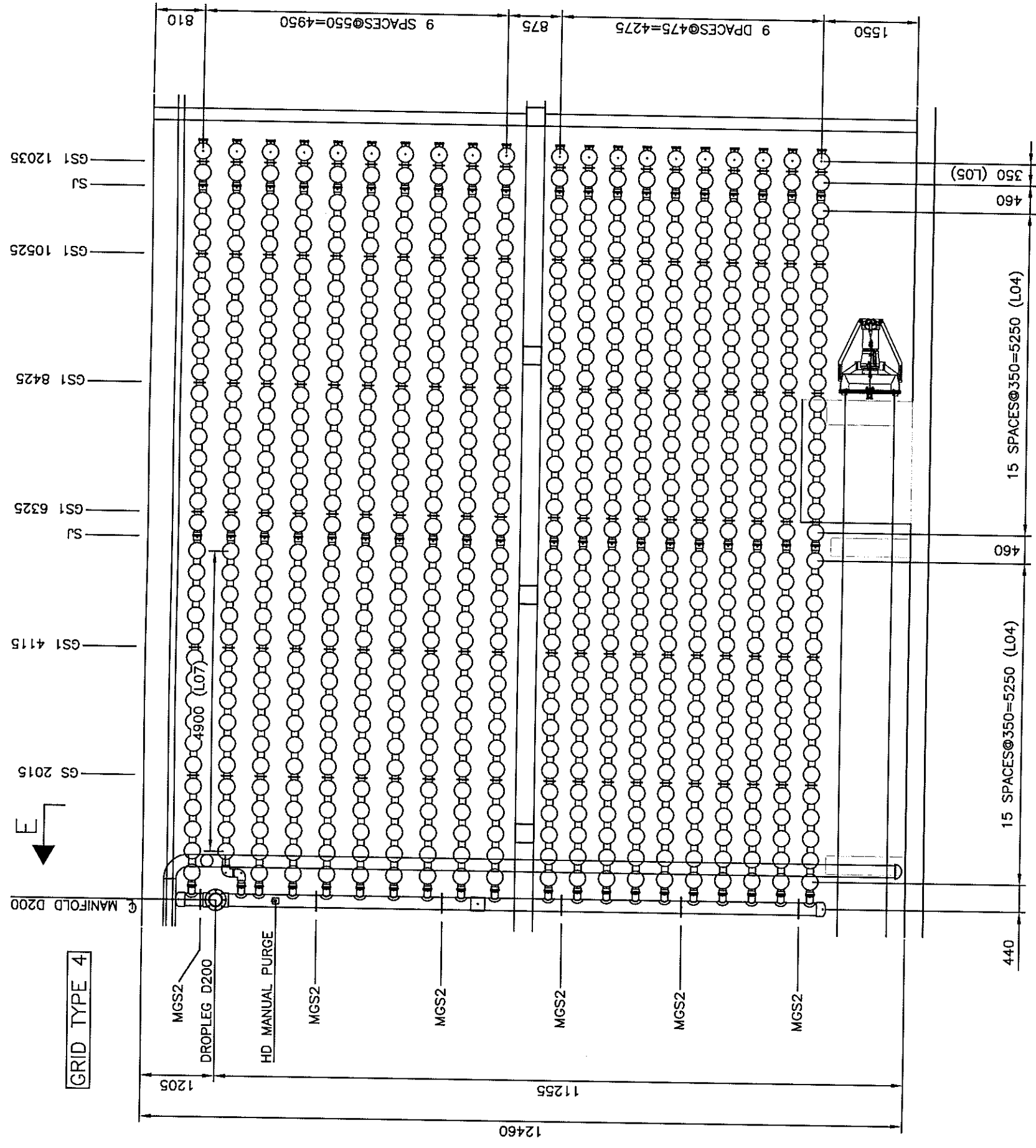
CONTRACT  
 19-80084SC AYALON  
 ©2018

**xylem**  
 Let's Solve Water

GRID TYPE 4

XYLEM WATER SOLUTIONS RUGBY LTD  
 10 MITCHELL COURT  
 RUSSELL WOUND WAY  
 WARRICKSHIRE  
 CV23 0UY  
 TEL: ++(0)1788 821500  
 FAX: ++(0)1788 821501

Cod File: -  
 Contract No. -  
 Drawing No. -  
 Rev. -



PART NUMBER	NUMBER OF PARTS PER GRID	NUMBER OF DIFFUSERS PER PART	TOTAL NUMBER OF DIFFUSERS
L04	39	16	624
L05	20	2	40
L07	1	15	15
GS	20		
GS1	100		
MGS2	6		

**GRID TYPE 4**  
 1 REQUIRED AS SHOWN

**REFERENCE DRAWINGS**

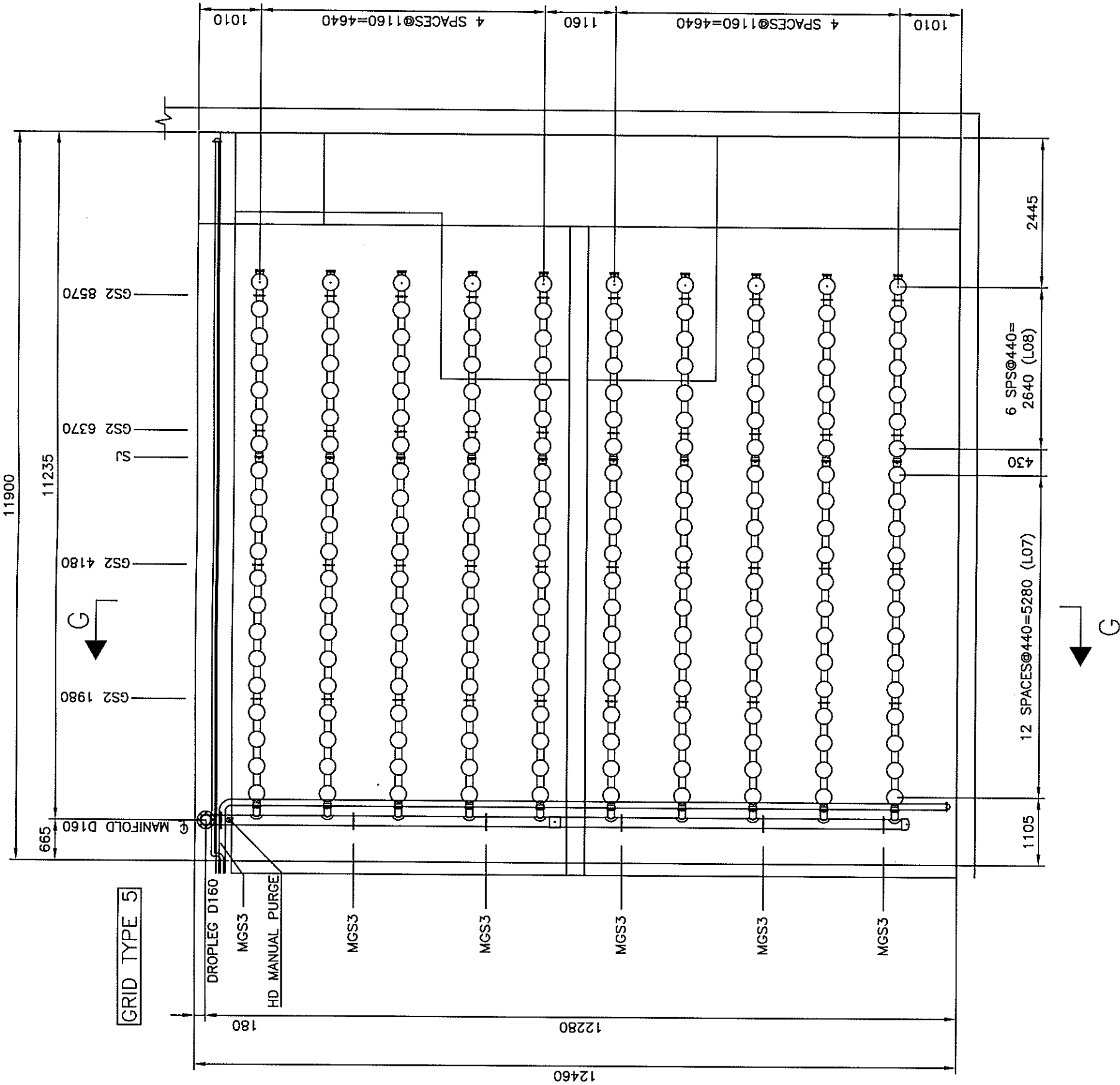
1. KEY PLAN-----19-80084SC-01
2. GRID TYPE 1/1S-----19-80084SC-02
3. GRID TYPE 2/2S-----19-80084SC-03
4. GRID TYPE 3-----19-80084SC-04
5. GRID TYPE 3A-----19-80084SC-05
6. GRID TYPE 4-----19-80084SC-06
7. GRID TYPE 4A-----19-80084SC-07
8. GRID TYPE 5/5S-----19-80084SC-08
9. MANIFOLD SECTIONS-----19-80084SC-09
10. MANIFOLD SECTIONS-----19-80084SC-10
11. MANIFOLD SECTIONS-----19-80084SC-11
12. FIXING DETAILS-----19-80084SC-12
13. HD MANUAL PURGE-----19-80084SC-13

**GRID TYPE '5/5S'**

- 2-TANK(S)  
 1-GRID(S) PER TANK  
 10-AIR DISTRIBUTORS PER GRID  
 20-DIFFUSERS PER AIR DISTRIBUTOR  
 200-DIFFUSERS PER GRID  
 400-TOTAL DIFFUSERS  
 FOR THIS GRID TYPE

**LEGEND**

- GS2 - D110 GUIDE SUPPORT M12/500  
 DRG 19-80084SC-12
- MGS3 - D160 MANIFOLD GUIDE SUPPORT M16/450  
 DRG 19-80084SC-12
- SJ - SPLINE JOINT  
 DRG 19-80084SC-12



PART NUMBER	NUMBER OF PARTS PER GRID	NUMBER OF DIFFUSERS PER PART	TOTAL NUMBER OF DIFFUSERS
L01	10	13	130
L02	10	7	70
GS2	40		
MGS3	6		

**GRID TYPE 5/5S**

- 1 REQUIRED AS SHOWN (GRID TYPE 5)
- 1 REQUIRED MIRROR (GRID TYPE 5S)

A	26/09/19	FIRST ISSUE	JUL
Rev	Date	Revision	Drawn
Rev	Date	Checked	Approved

CONTRACT

19-80084SC AYALON

ALL RIGHTS RESERVED. DOCUMENT IS CONFIDENTIAL, PROPRIETARY AND COPYRIGHTED. IT SHALL NOT BE REPRODUCED, COPIED, OR OTHERWISE MADE AVAILABLE TO THIRD PARTIES OR OTHERWISE USED WITHOUT THE WRITTEN CONSENT OF XYLEM. USE-RESTRICTED. ©2019

TITLE

GRID TYPE 5/5S



XYLEM WATER SOLUTIONS RUGBY LTD  
 10 MITCHELL COURT  
 CASTLE MOUND WAY  
 RUGBY  
 WARWICKSHIRE  
 CV23 0JY  
 TEL: +44(0)1788 821500  
 FAX: +44(0)1788 821501

Cad File: -	Contract No. -	Drawing No.	Rev.
Scale: 1:75	1:75	19-80084SC-08	A

**REFERENCE DRAWINGS**

1. KEY PLAN-----19-80084SC-01
2. GRID TYPE 1/1S-----19-80084SC-02
3. GRID TYPE 2/2S-----19-80084SC-03
4. GRID TYPE 3-----19-80084SC-04
5. GRID TYPE 3A-----19-80084SC-05
6. GRID TYPE 4-----19-80084SC-06
7. GRID TYPE 4A-----19-80084SC-07
8. GRID TYPE 5/5S-----19-80084SC-08
9. MANIFOLD SECTIONS -----19-80084SC-09
10. MANIFOLD SECTIONS -----19-80084SC-10
11. MANIFOLD SECTIONS -----19-80084SC-11
12. FIXING DETAILS-----19-80084SC-12
13. HD MANUAL PURGE-----19-80084SC-13

**GRID TYPE '4A'**

- 1 - TANK(S)
- 1 - GRID(S) PER TANK
- 20 - AIR DISTRIBUTORS PER GRID
- VARIOUS - DIFFUSERS PER AIR DISTRIBUTOR
- 679 - DIFFUSERS PER GRID
- 679 - TOTAL DIFFUSERS FOR THIS GRID TYPE

**LEGEND**

- GS - D110 GUIDE SUPPORT MB/250
- GS1 - D110 GUIDE SUPPORT M12/330  
DRG 19-80084SC-12
- MGS2 - D200 MANIFOLD GUIDE SUPPORT M16/300  
DRG 19-80084SC-12
- SJ - SPLINE JOINT  
DRG 19-80084SC-12

A	26/09/19	FIRST ISSUE	JUL
Rev	Date	Revision	Drawn
Rev	Date	Checked	Approved

CONTRACT  
**19-80084SC AYALON**

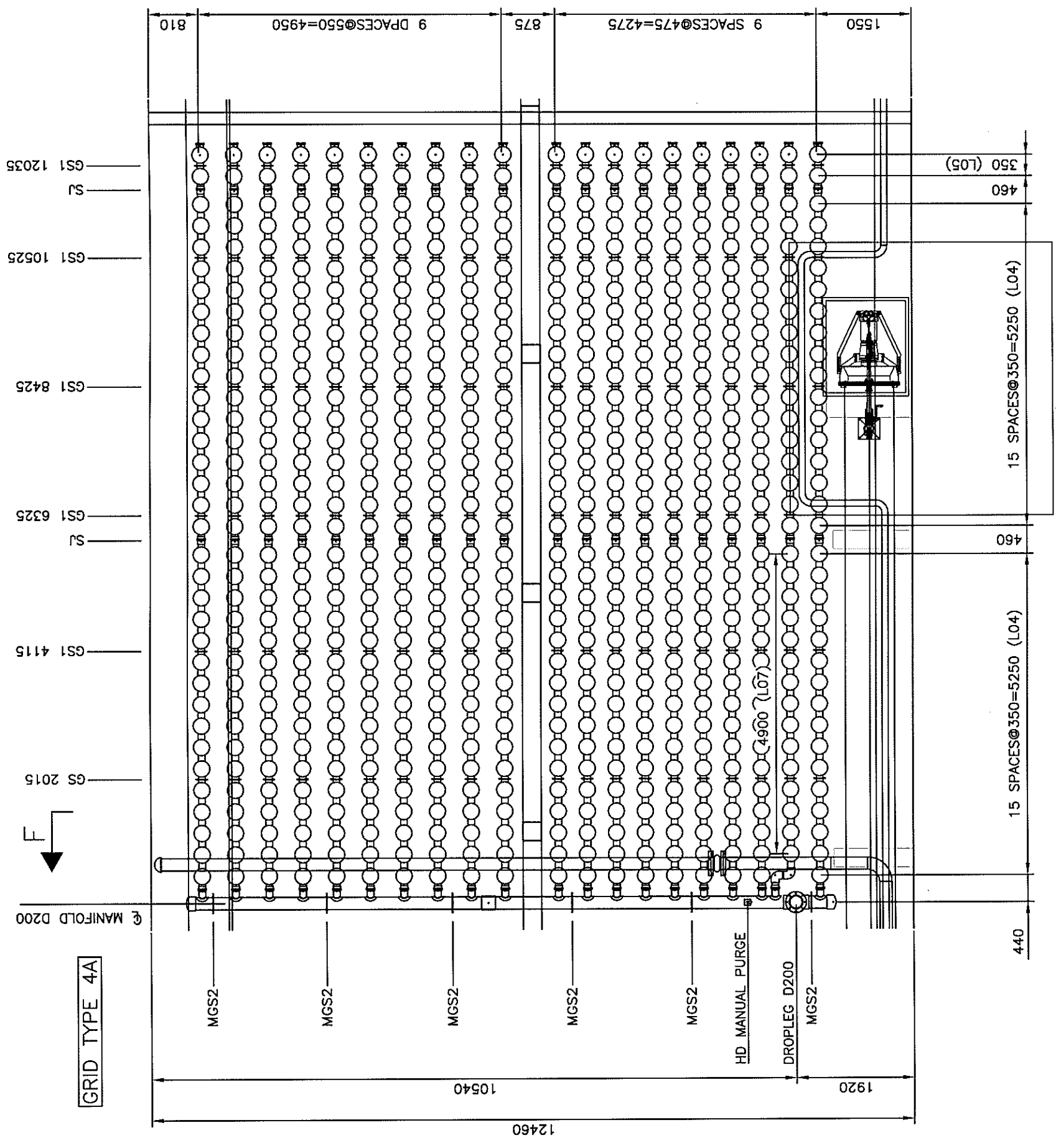
TITLE  
**GRID TYPE 4A**

ALL RIGHTS RESERVED. DOCUMENT IS CONFIDENTIAL, PROPRIETARY AND COPYRIGHTED. IT SHALL NOT BE REPRODUCED, DISSEMINATED OR OTHERWISE MADE AVAILABLE TO THIRD PARTIES OR OTHERWISE USED WITHOUT PRIOR WRITTEN CONSENT UNLESS USE IS IN PARTS OR IN REUSED FORM-MAY BE PURSUED UNDER CIVIL AND CRIMINAL LAW ©2018

**xylem**  
Let's Solve Water

XYLEM WATER SOLUTIONS RUBEN LTD  
10 MICHELL COURT  
RUBEN  
WARWICKSHIRE  
CV33 0UT  
TEL: +44(0)1788 821500  
FAX: +44(0)1788 821501

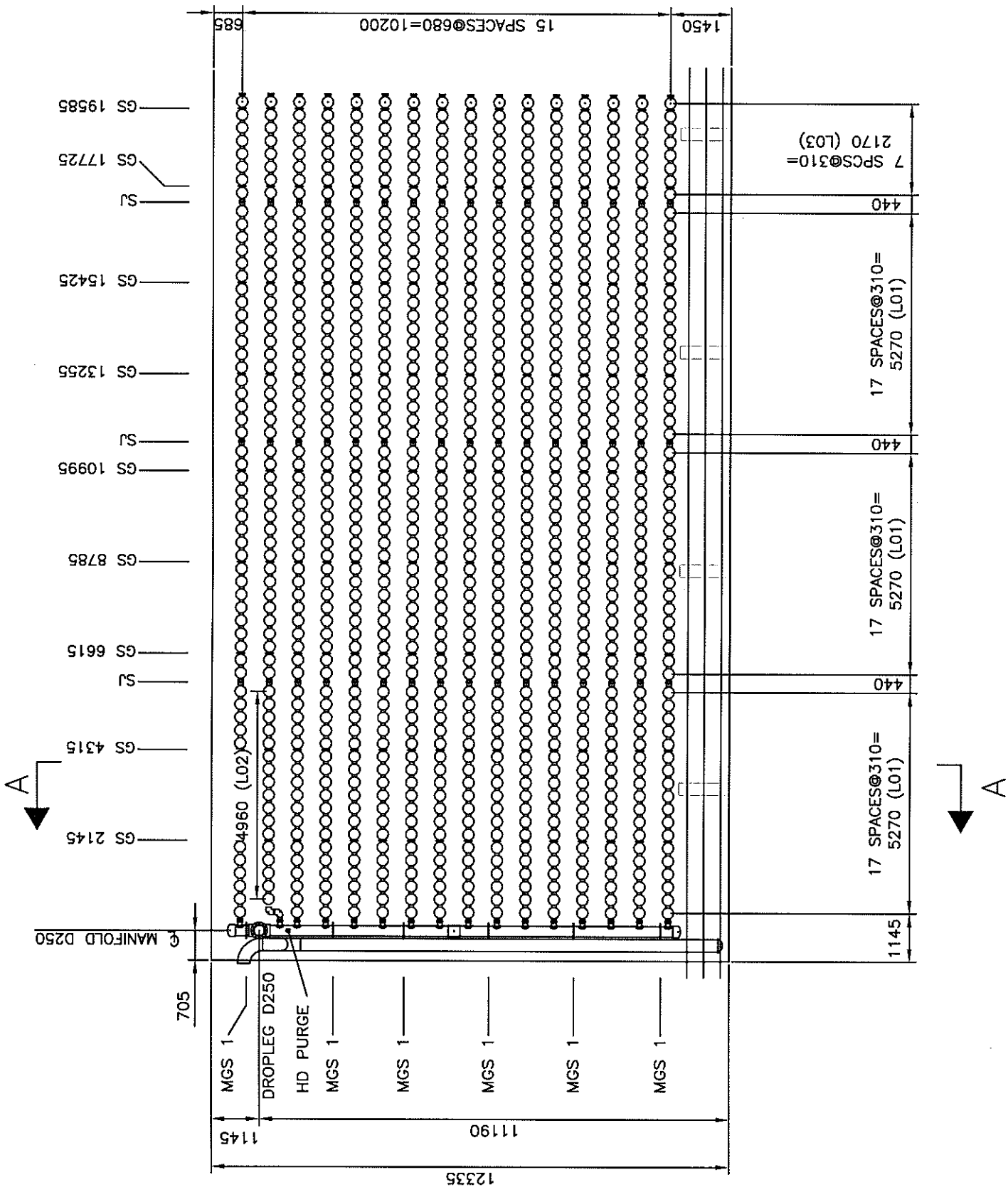
Cod File: -  
Contract No. -  
Drawing No. 10 90084SC-07  
Rev. A



PART NUMBER	NUMBER OF PARTS PER GRID	NUMBER OF DIFFUSERS PER PART	TOTAL NUMBER OF DIFFUSERS
L04	39	16	624
L05	20	2	40
L07	1	15	15
GS	20		
GS1	100		
MGS2	6		

**GRID TYPE 4A**  
1 REQUIRED AS SHOWN

**GRID TYPE 1**



**GRID TYPE 1/1S**  
 1 REQUIRED AS SHOWN (GRID TYPE 1)  
 1 REQUIRED MIRROR (GRID TYPE 1S)

PART NUMBER	NUMBER OF PARTS PER GRID	NUMBER OF DIFFUSERS PER PART	TOTAL NUMBER OF DIFFUSERS
L01	47	18	846
L02	1	17	17
L03	16	8	128
GS	144		
MGS1	6		

**REFERENCE DRAWINGS**

1. KEY PLAN-----19-80084SC-01
2. GRID TYPE 1/1S-----19-80084SC-02
3. GRID TYPE 2/2S-----19-80084SC-03
4. GRID TYPE 3-----19-80084SC-04
5. GRID TYPE 3A-----19-80084SC-05
6. GRID TYPE 4-----19-80084SC-06
7. GRID TYPE 4A-----19-80084SC-07
8. GRID TYPE 5/5S-----19-80084SC-08
9. MANIFOLD SECTIONS -----19-80084SC-09
10. MANIFOLD SECTIONS -----19-80084SC-10
11. MANIFOLD SECTIONS -----19-80084SC-11
12. FIXING DETAILS-----19-80084SC-12
13. HD MANUAL PURGE-----19-80084SC-13

**GRID TYPE '1/1S'**

- 2-TANK(S)  
 1-GRID(S) PER TANK  
 16-AIR DISTRIBUTORS PER GRID  
 VARIOUS-DIFFUSERS PER AIR DISTRIBUTOR  
 991-DIFFUSERS PER GRID  
 1982-TOTAL DIFFUSERS  
 FOR THIS GRID TYPE

**LEGEND**

- GS - D110 GUIDE SUPPORT M8/250  
 MGS1 - D250 MANIFOLD GUIDE SUPPORT M16/300  
 DRG 19-80084SC-12  
 SJ - SPLINE JOINT  
 DRG 19-80084SC-12

Rev	Date	Revision	JUL
A	25/09/19	FIRST ISSUE	Drawn

Rev	Date	Checked	Approved
-----	------	---------	----------

CONTRACT  
 19-80084SC AYALON

TITLE  
 GRID TYPE 1/1S



Let's Solve Water

XYLEM WATER SOLUTIONS ROBERT LTD  
 1000 WINDMILL WAY  
 CASTLE BRAND WAY  
 RUGBY  
 WARWICKSHIRE  
 CV23 0JY  
 TEL: +44(0)1788 821500  
 FAX: +44(0)1788 821501